



G geomash

Effective drilling solutions



For more than 130-year of the company history a lot of things changed, invariable was only one — our aspiration to create drilling equipment capable to provide effective drilling for our partners.

Detailed knowledge of technological drilling processes and problems which our buyers face in the course of drilling give the chance to create the drilling rigs which are most adapted for the geological conditions and tasks solved by our buyers.

Today the company has more than 1000 employees, production sites are located in the cities of Shchigra, Vladimir (Russia) and Nordkhouzen (Germany).

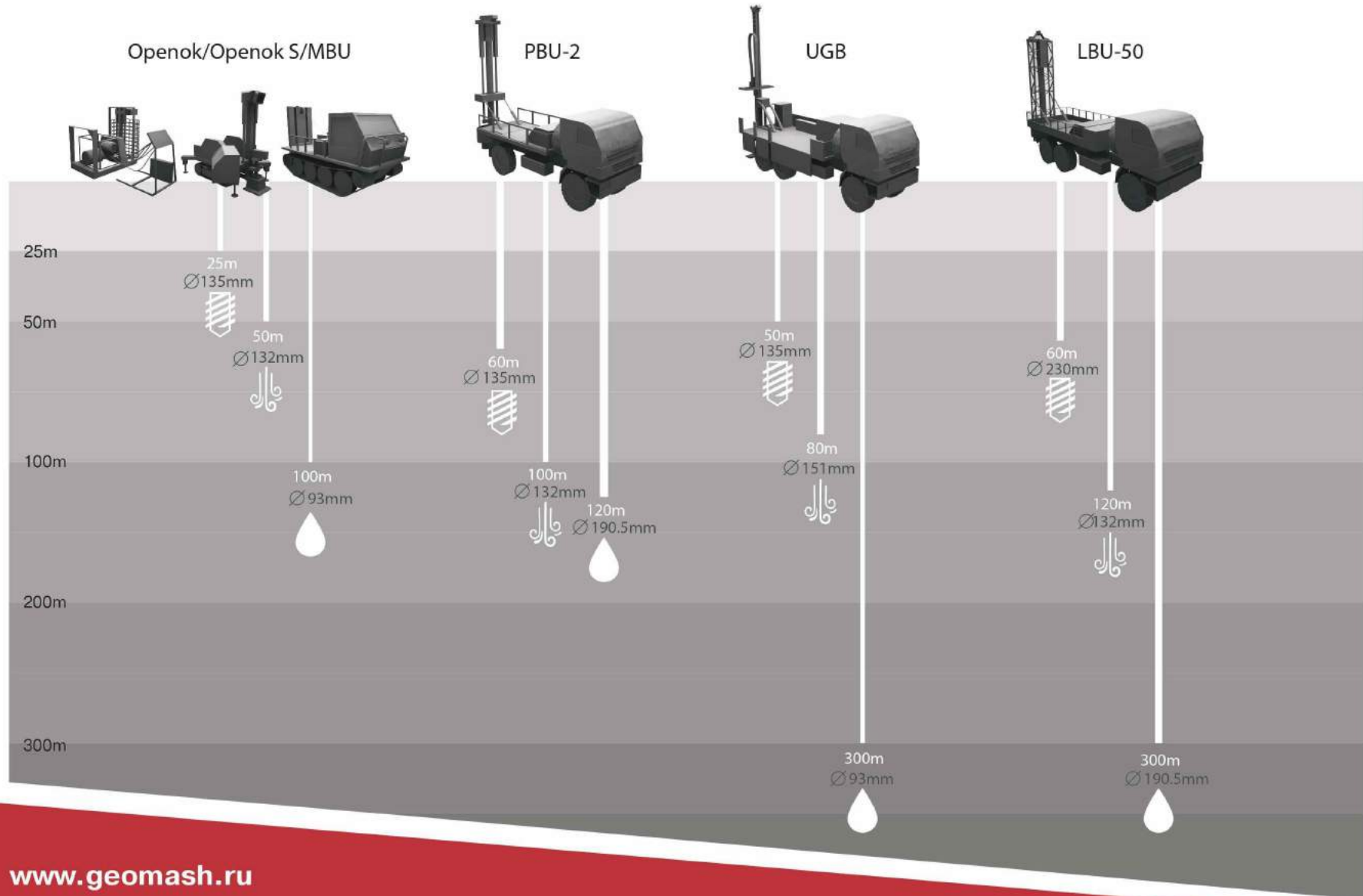
In 2011 "Lutz-Kurth" - the German producer specializing on production of small-sized boring equipment and boring carriages became a part of the Geomash company. "

Companies of various activity profile successfully operate with "Geomash" products.

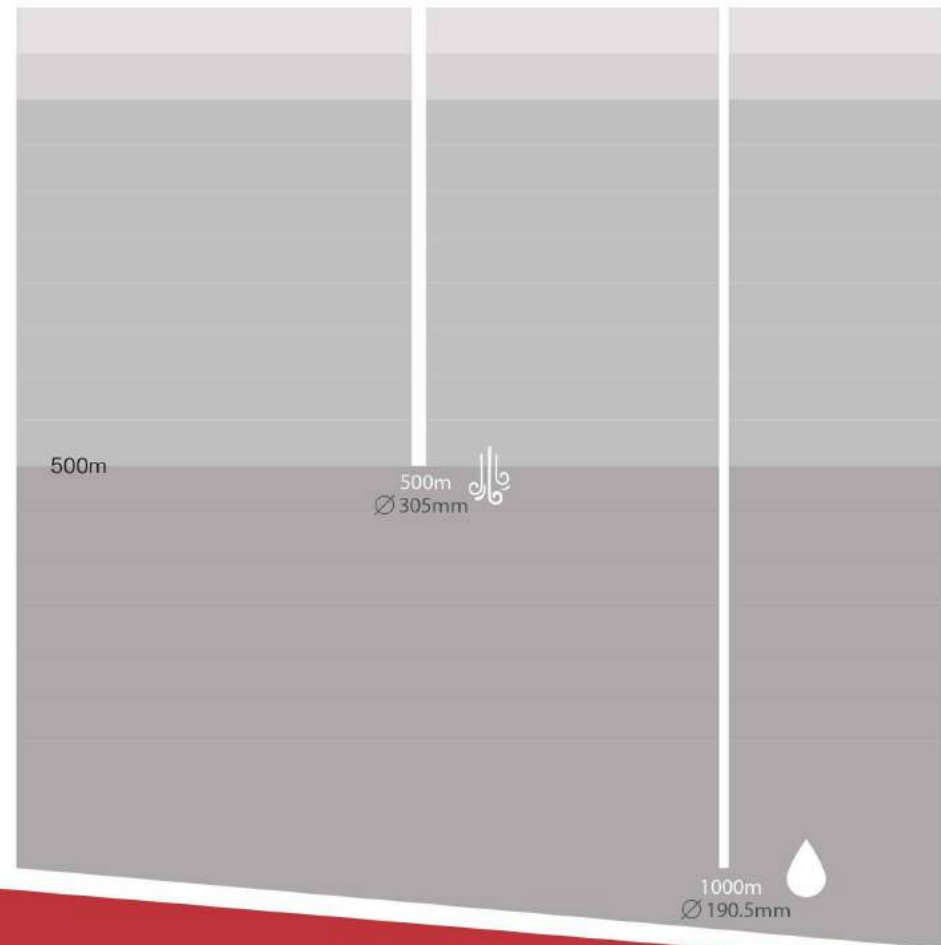
Our delivery geography isn't limited to the territory of the Russian Federation and includes countries of the Near and Far-abroad countries.

We seek to turn our knowledge and experience in the area of development and production of drilling rigs into competitive advantages of our partners.

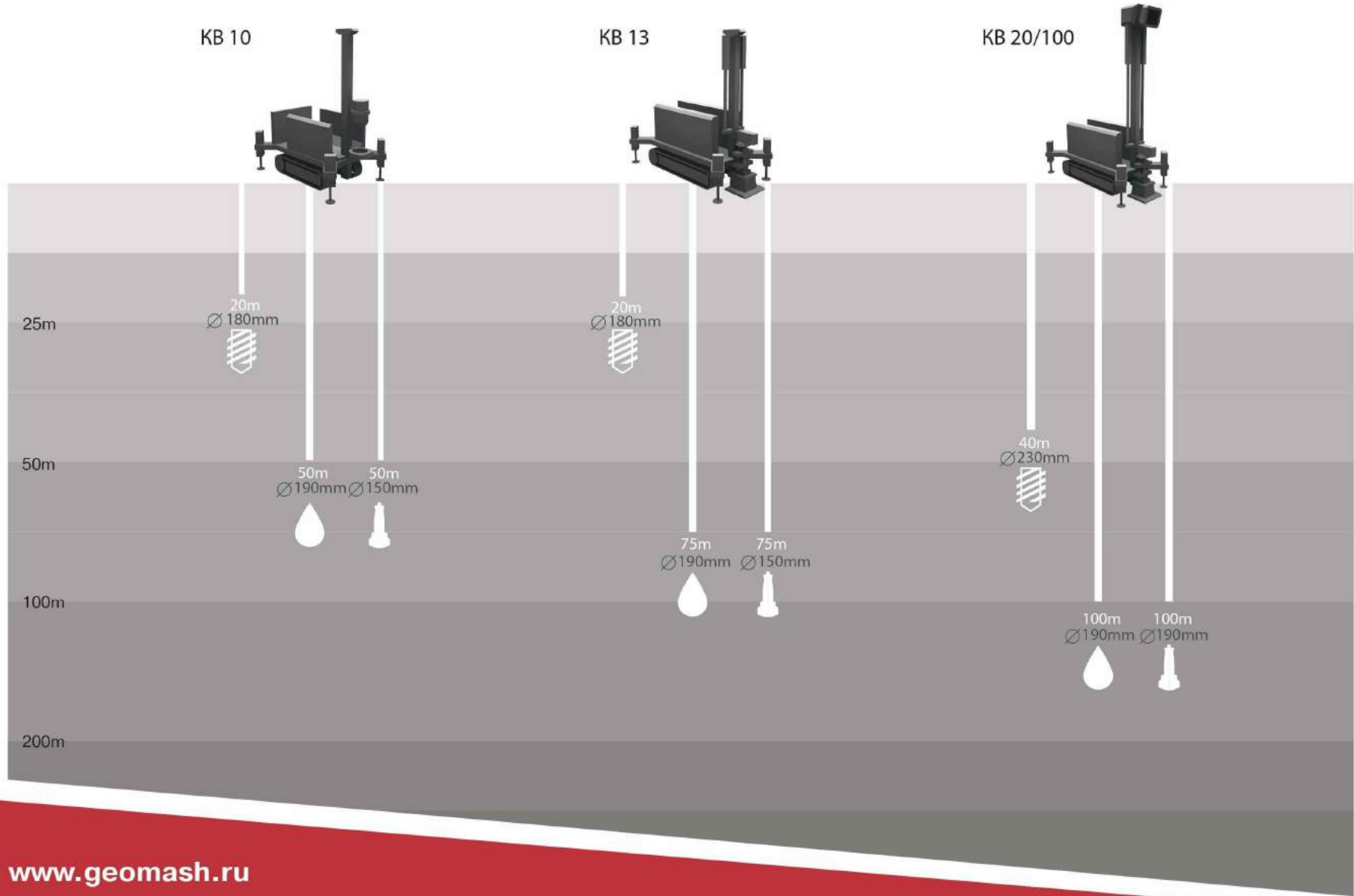


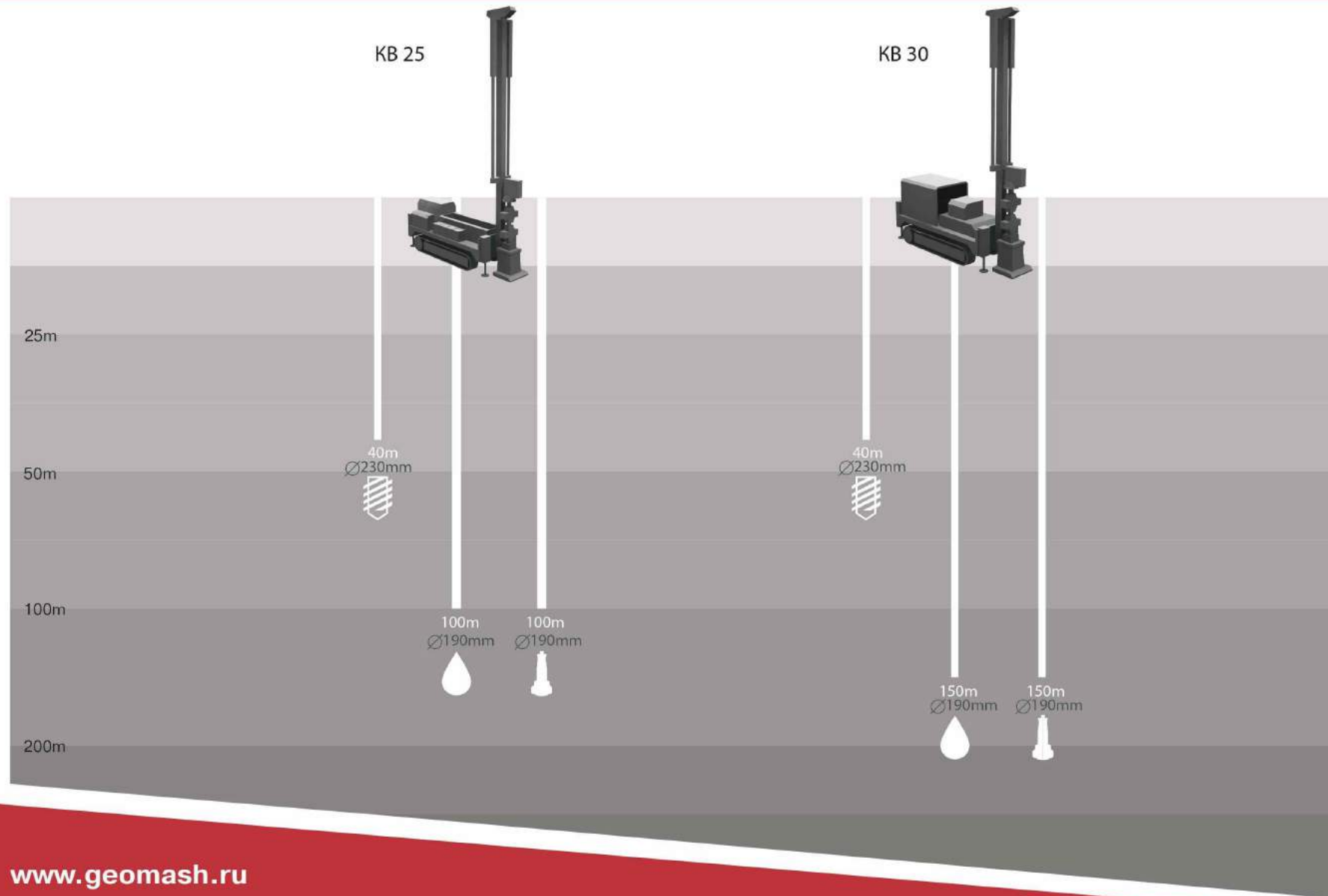


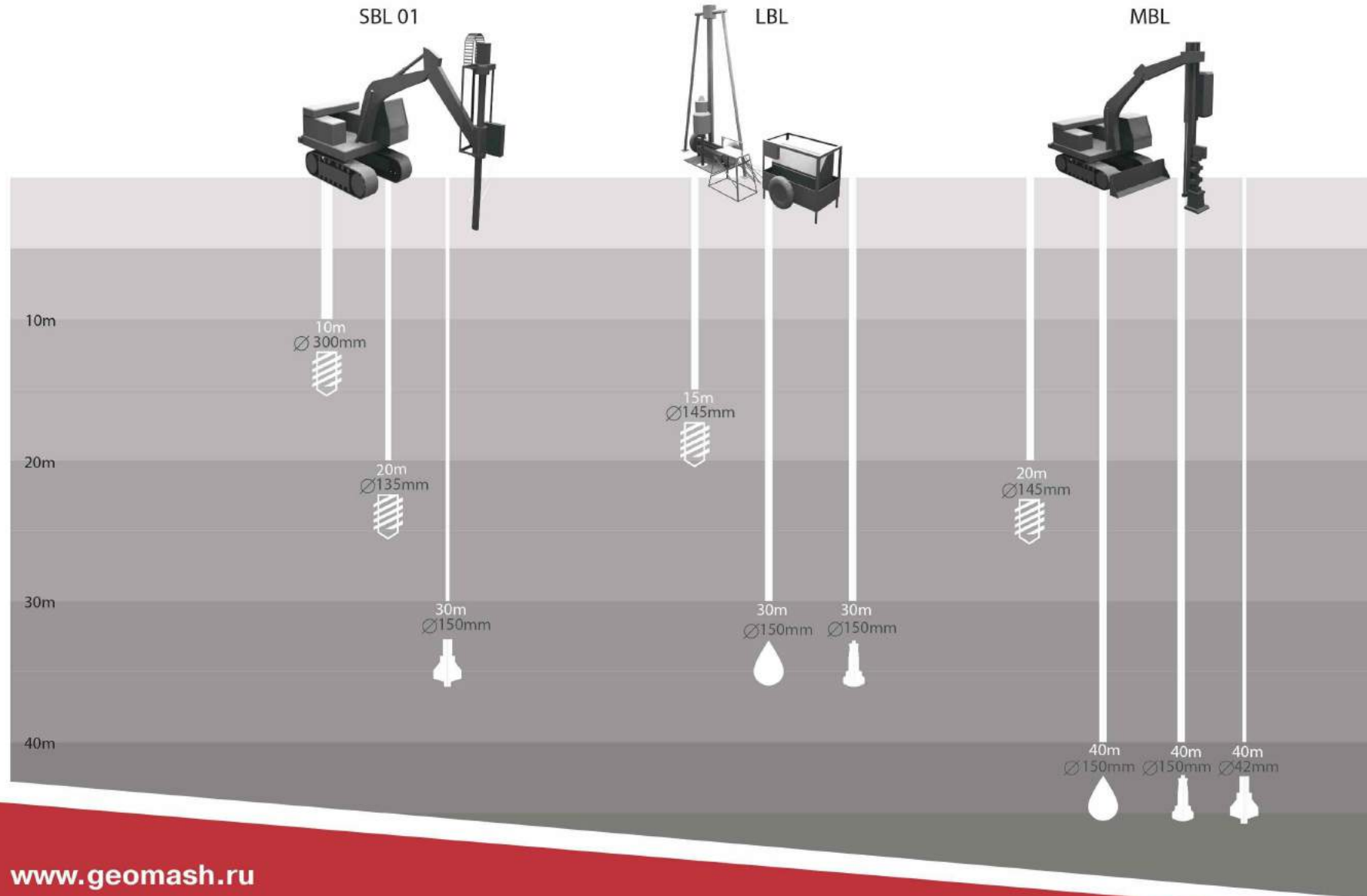
UBV











Geological exploration



Seismic exploration



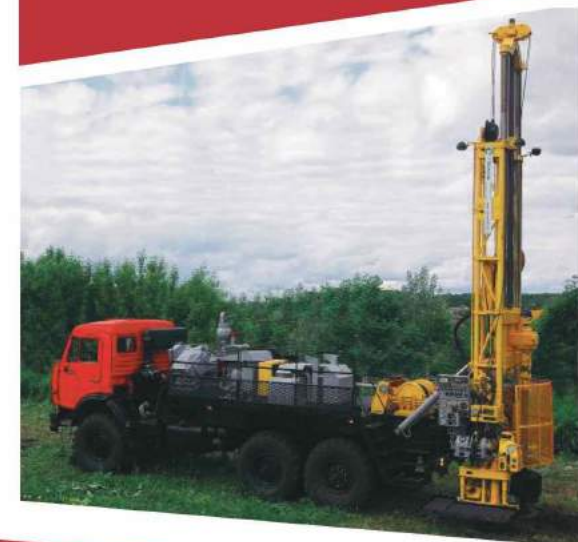
Engineering survey



Hydrogeology

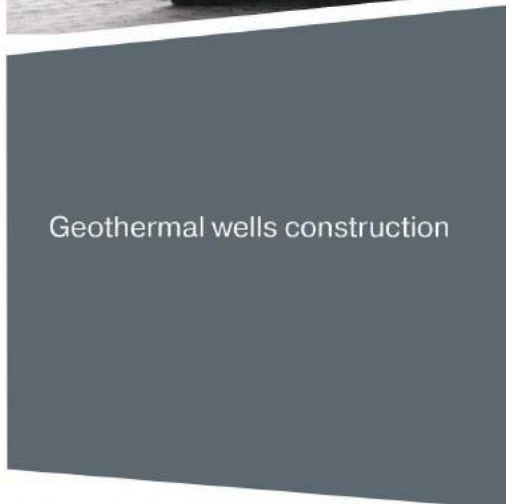


Construction





Power lines construction



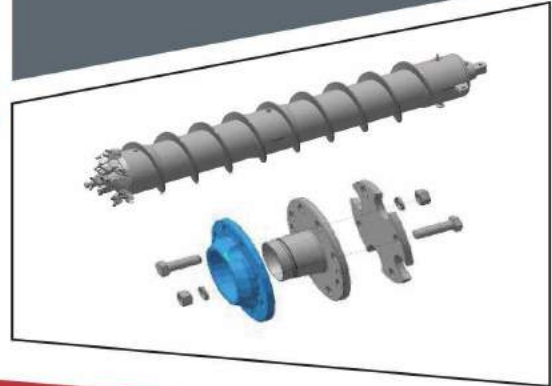
Geothermal wells construction



Special construction machines



Drilling tools
Spare parts





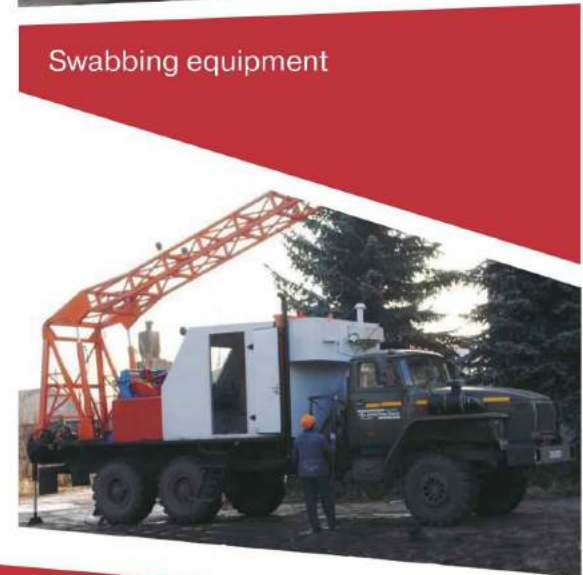
Hoisting equipment



Pump and cementing equipment



Well research plant



Swabbing equipment

GTM 0.8



GTM 0.6



MTLbu



GTM 0.8R





The Quality Management System of JSC Geomash conforms to the ISO 9001:2008 standard concerning design and production of mobile drilling rigs, spare parts and boring tools for them.

6 key processes which are valued from the point of view of their productivity are defined:

- design and development of new types and improvement of products;
- order of development of technological processes;
- analysis, assessment and choice of the supplier;
- planning of release and ensuring operational management of production;
- order of control and test of production in the course of production;
- aftersales production service



30
min
Request
response

60
min
Service
decision
adoption



Demonstration of products before shipment

Specialized customer services realize demonstration of boring and cross-country technique before their shipment, and also provide training of staff of the Customer.



Information and technical attending

We realize information and technical attending to the customer in case of operation at all stages of life of the equipment, and also we provide operational warranty and post-warranty repair of any complexity.



Check, running-in and start-in operation of the boring equipment in customer conditions

Our experts will help to put the "Geomash" equipment into operation that will help to avoid breakages and reduce down time of the equipment.



Major repair of drilling rigs

Service in changeover of the failed nodes on earlier issued drilling rigs of "Geomash" production.



Contact us

LLC «Geomash-Centre»

121351, Moscow, Kuntsevskaya St., 9, build. 2

tel/fax: +7 (495) 902-55-20

FTA department tel: +7 (495) 902 5520 ext. 260

www.geomash.ru, e-mail: sales@geomash.ru